

## »BISON« D 1000 TECHNICAL DATA

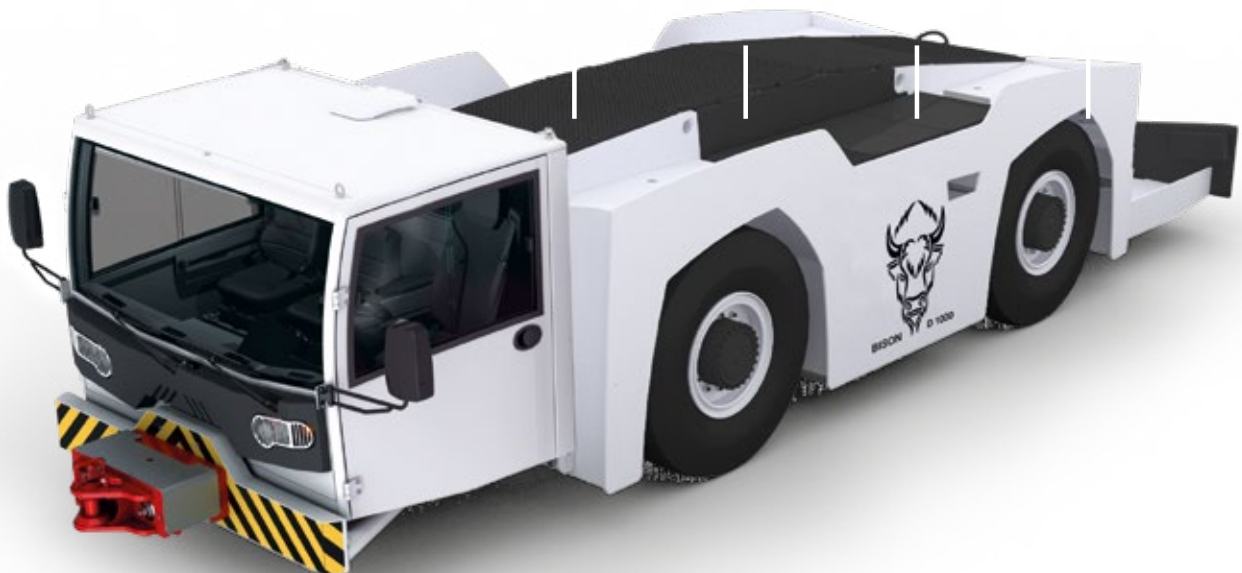


### UNDER REALISTIC CONDITIONS AT THE AIRPORT:

With an aircraft tow tractor including 4-wheel-drive and equal weight distribution on both axles, on wet concrete (friction coefficient  $\mu=0.57$ ), 1% apron inclination, and aircraft engines running during pushback.

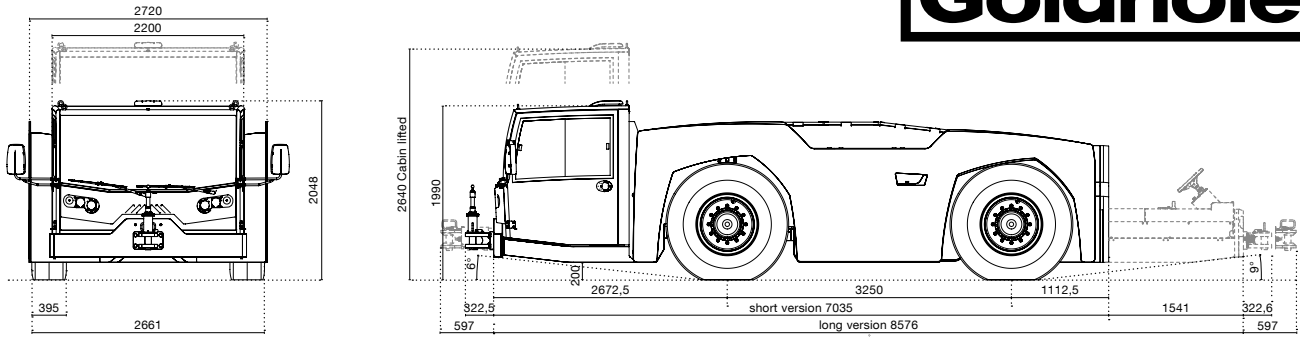
In case of different requirements please contact us for new calculations based on your specific operation conditions.




<b>OPERATION WEIGHTS</b>	+ 28 t   32.5 t   37 t   41 t   43 t   46 t max.
<b>MTOW</b>	+ 400 t
<b>DRAWBAR PULL INSTALLED</b>	+ 305 kN



FIND OUT MORE  
»BISON« FAMILY

MADE FOR YOUR MISSION



	<b>DEUTZ ENGINE</b>	+ DEUTZ TCD 7.8 L6 200kW at 2,200 rpm	+ EU STAGE IIIA, IV or V
		+ Fuel tank capacity max. 200 l	+ US EPA TIER 3 or TIER 4
	<b>TURNING RADIUS</b>	+ 6,187 mm	+ * 6,340 mm long version
	<b>TRANSMISSION</b>	+ 6 gears forward/3 reverse	+ ZF automatic full-power-shift transmission with integrated torque converter, manual and automatic gear-shifting mode
	<b>AXLES</b>	+ Driven steering axles with planetary drives in the wheel hubs	+ Front and rear axles driven by full-power-shift transmission through joint shafts
	<b>STEERING SYSTEM</b>	+ Standard 4-wheel steering	+ Emergency steering pump
		+ Front-wheel and crab steering (optional)	
	<b>TIRES</b>	+ Front + rear 14.00x24	
	<b>BRAKES</b>	+ Fully hydraulic 3-circuit safety brakes	+ Emergency parking-brake release by electrical emergency pump
		+ 2-circuit service brake	+ Brake pad wear indicator
		+ 1-circuit failsafe parking brake	
	<b>HYDRAULIC SYSTEM</b>	+ Brakes and steering system	+ Cabin-lift and jacks
	<b>ELECTRIC SYSTEM</b>	+ Alternator 28 V/100 A	+ Engine starter 4 kW
		+ Battery capacity 2x12 V/143 Ah	
	<b>CABIN</b>	<b>CABLESS</b>	+ Full-width elevating, all-steel front cabin
		<b>BASIC CABIN</b>	+ Comfortable driver's and passenger's seat with safety belts (third seat optional)
			+ Adjustable steering column
			+ Interior lights
		<b>OPEN CAB</b>	+ Wiper-washer system for front
		<b>OPTION</b>	+ Rear-view mirrors (1 inside, 2 outside)
			+ Front tow-hitch mirror
		<b>CLOSED CAB</b>	+ Lockable doors with sliding windows
		<b>OPTION</b>	+ Cabin/windscreen ventilation and heating
			+ Heated rear window with screen wiper
	<b>OPTIONS</b>	+ Cushioned tow hitch	+ Rear-view camera
	<b>EXAMPLES</b>	+ Fully airconditioning system	+ Auxiliary heater Webasto with timer
		+ Second passenger seat	+ Central lubrication system
		+ Electrically adjustable and heated rearview mirror	+ Remote Control
			+ 4 integrated hydraulic jacks

## GOLDHOFER AIRPORT TECHNOLOGY

Location: Donaustrasse 95, 87700 Memmingen/Germany  
 Location: Parkstrasse 19-21, 73760 Ostfildern/Germany  
 Web: www.goldhofer.com, E-Mail: info@goldhofer.com

## SALES

Telephone: +49 8331 15-343,  
 E-Mail: sales-airporttechnology@goldhofer.com

## SERVICE AND SPARE PARTS

Telephone: +49 8331 962 99 99, Fax: +49 8331 15-247  
 E-Mail: service-airporttechnology@goldhofer.com

**MADE FOR YOUR MISSION**