

»SHERPA« E FAMILY TECHNICAL DATA



	»SHERPA« E4	»SHERPA« E5	»SHERPA« E6	»SHERPA« E7	»SHERPA« E8
TOTAL VEHICLE WEIGHT	4 t	5 t	^[2] 6 t	^[2] 7 t	^[2] 8 t
1x 35kWh BATTERY PACK	•	•	•		
2x 35kWh BATTERY PACKS			^[1] •	^[1] •	^[1] •
DRAWBAR PULL INSTALLED	25 kN	30 kN	35 kN	40 kN	45 kN



The actual range of applications of the »SHERPA« is checked by Goldhofer prior to order confirmation.

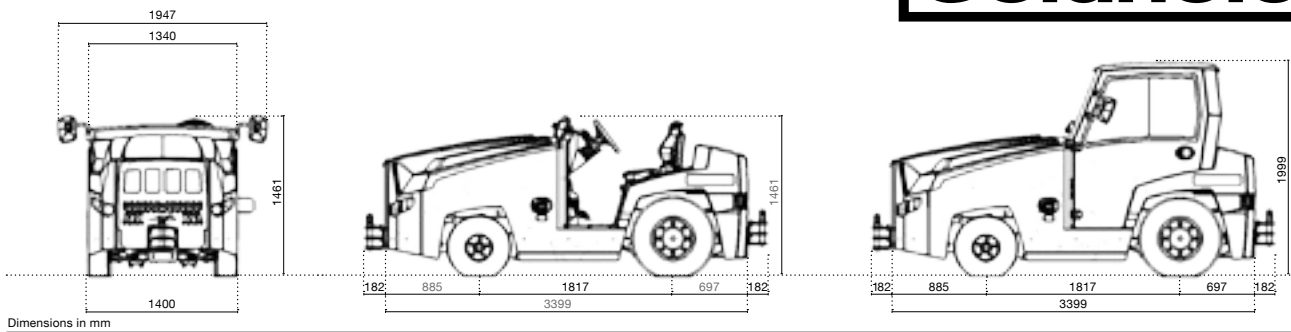
01-»SHERPA« FAMILY | 08/2021-EN | METRIC



FIND OUT MORE
»SHERPA« FAMILY

^[1] Suitable for pushbacks
^[2] Depending on options

MADE FOR YOUR MISSION



	400 V LITHIUM-ION BATTERY PACK	400 V LITHIUM-ION BATTERY PACK
CAPACITY	35 kWh	70 kWh
TOWED LOAD MAX.	≤ 60 t	≤ 80 t
AIRCRAFT MTOW MAX.	up to ^[2] 50 t	up to ^[2] 50 t
INTEGRATED CHARGING SYSTEM	50 kW, DC CCS Type1, CCS Type2, CHAdeMO and GB/T	70 kW, DC CCS Type1, CCS Type2, CHAdeMO and GB/T
FEATURES	<ul style="list-style-type: none"> + Drive power modes adjustable e.g. ECO Mode + Recuperation of braking energy 	<ul style="list-style-type: none"> + Active thermal management system + All high voltage components are connected by plugs



TURNING RADIUS	+ 4,120 mm	
DRIVE TRAIN	+ Direct drive	
AXLES	<ul style="list-style-type: none"> + Steering axle, front + Suspension on front + rear axle 	<ul style="list-style-type: none"> + Rear drive axle: Kessler with planetary drives in the wheel hubs
STEERING SYSTEM	+ Front steering	+ Hydraulic steering system
TIRES	+ Front 6.50 R10	+ Rear 7.5 R15 or 215/75 R17.5
BRAKES	<ul style="list-style-type: none"> + Fully hydraulic 2-circuit safety disk brakes + 1-circuit failsafe parking brake 	+ Automatic release and closing of parking brake



CABLESS BASIC CABIN	<ul style="list-style-type: none"> + Comfortable driver's and passenger's seat with safety belts + Adjustable steering column 	<ul style="list-style-type: none"> + Multi function display + Hazard lights + Emergency stop at driver's place
OPEN CAB OPTION	<ul style="list-style-type: none"> + Top with big front windshield + Wiper-washer system for front 	+ Interior light and mirror
CLOSED CAB OPTION	<ul style="list-style-type: none"> + Top with big front and rear windshield + Lockable doors with sliding windows + Heated rear window with screen wiper 	<ul style="list-style-type: none"> + Ventilation/heating + Wiper-washer system for front and rear windshield



OPTIONS EXAMPLES	<ul style="list-style-type: none"> + Onboard charger AC, with 22 kW + ^[3]Auxiliary vehicle heater + ^[3]Rear window protected (grid) + Rotating beacon + Trailer power supply (24V) + Jumpstart/jump start socket 	<ul style="list-style-type: none"> + Front e-type standard tow hitch + Rear remote operated e-type tow hitch + Inching control at the left rear of the tractor + Rockinger rear-coupling (244/245) + Ringfeder rear-coupling (2020, 2025 SK, 2030 SKF)
-------------------------	--	---

GOLDHOFER AIRPORT TECHNOLOGY

Location: Donaustrasse 95, 87700 Memmingen/Germany
 Web: www.goldhofer.com, E-Mail: info@goldhofer.com

^[2] Depending on friction coefficient and Sherpa weight

^[3] Only for closed cabin version

SALES

Telephone: +49 8331 15-343,
 E-Mail: sales-airporttechnology@goldhofer.com

SERVICE AND SPARE PARTS

Telephone: +49 8331 962 99 99, Fax: +49 8331 15-247
 E-Mail: service-airporttechnology@goldhofer.com

MADE FOR YOUR MISSION